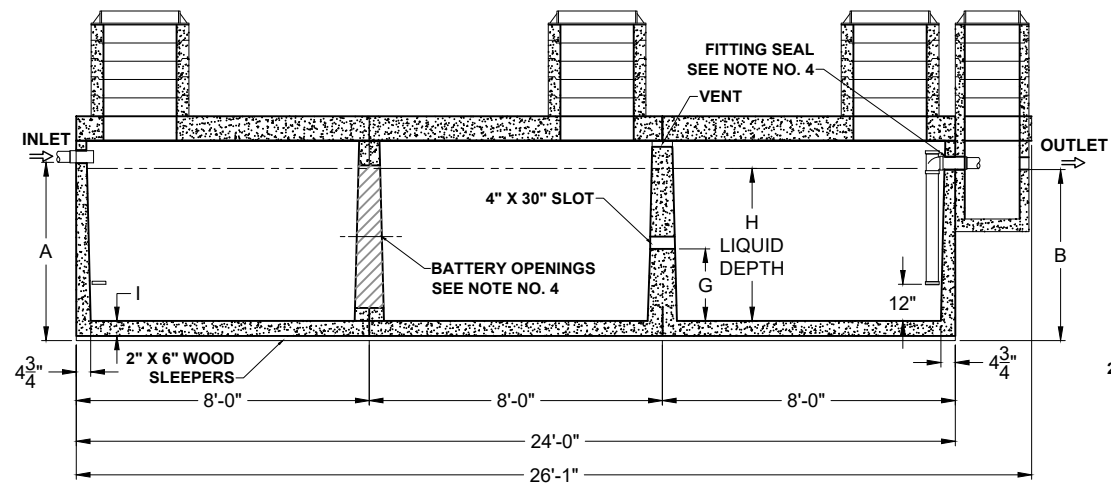
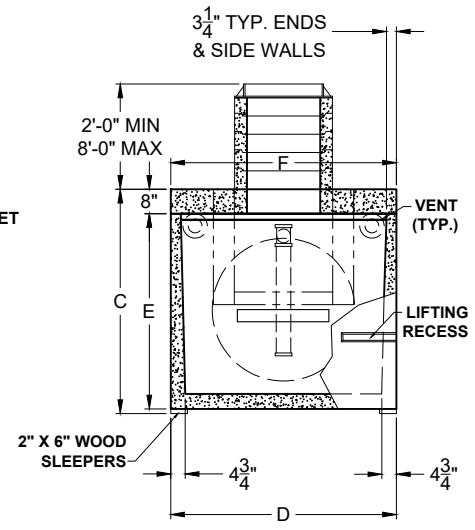


PLAN VIEW



SECTION THRU "A-A"



SECTION THRU "B-B"

(2) COMPARTMENTS

PRODUCT NAME:
SAND & GREASE INTERCEPTOR

DESCRIPTION:
 WITH TWO COMPARTMENTS
 3750 TO 4500 GALLONS

DESIGN SPECIFICATIONS
DESIGN LOAD: H-20 TRAFFIC RATED

WITH DRY SOIL CONDITIONS (WATER LEVEL BELOW TANK). SUITABLE SUB-BASE BEDDED WITH GRANULAR MATERIAL SHALL BE PREPARED TO HANDLE ANTICIPATED LOADS. FOR COMPLETE DESIGN AND PRODUCT INFORMATION, PLEASE CONTACT PRO-CAST PRODUCTS.

PRO-CAST PRODUCTS RESERVES THE RIGHT TO MAKE CHANGES TO PRODUCT DESIGN AND/OR DIMENSIONS WITHOUT NOTICE. PLEASE CONTACT PRO-CAST PRODUCTS WHENEVER NECESSARY FOR CONFIRMATION OR ADVICE ON PRODUCT DESIGN.

- NOTES:**
1. NOT USED
 2. REFER TO SPECIFICATION SHEET NOS. S-251 & S-252
 3. REFER TO SPECIFICATION SHEET NO. S-201
 4. REFER TO SPECIFICATION SHEET NO. S-250

SCALE: DO NOT SCALE
DRAWN BY: TPC 12.20.2024
REVISED BY:
CHECKED BY:

DRAWING NO.
SG-003

ALL DIMENSIONS ARE IN INCHES & WEIGHTS IN LBS - (RISER WT. NOT INCLUDED)										EXCAVATION SPECIFICATIONS				
MODEL	A	B	C	D	E	F	G	H	I	WEIGHT	LENGTH	WIDTH	BELOW INLET	TANK HEIGHT
PC SG-3-3750-HD	59	57	74	74	64	74	29 1/4	50 1/2	4 1/2	47,175	29'-0"	9'-2"	4'-11"	6'-2"
PC SG-3-4500-HD	62 1/2	60 1/2	77 1/2	85	67 1/2	85	30 3/4	53 1/2	5	55,035	29'-0"	10'-1"	5'-2 1/2"	6'-5 1/2"